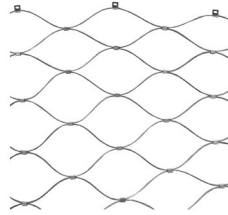


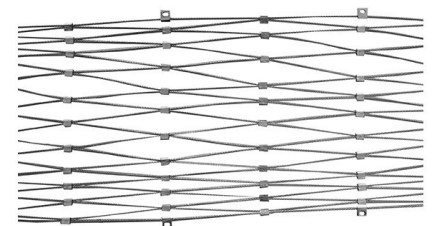
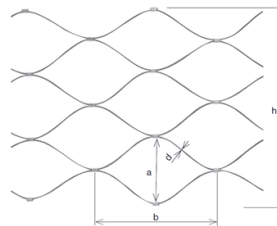
Certifikat: EN 10204/3.1



Certificate: EN 10204/3.1

Mreža žična — WIRE MESH mm

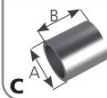
Kvaliteta Quality	Žica (D) Wire (D)	Role Rolls	A	B
1.4404/316L	1,5 mm	h.800	70	120
1.4404/316L	2,0 mm	h.900	70	121



Dodatki za žično mrežo — Accesories for wire mesh

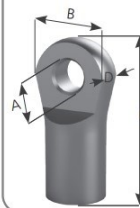
FERRULE -

AISI316L	Rope Fune	F1	F2	Dia./Ø A	Dia./Ø B
IN-115-0150	Ø 1,5 mm 1/16" dia.	0,21kN	2,26 kN	Ø 5 mm 13/64" dia.	Ø 6,4 mm 1/4" dia.
IN-115-0200	Ø 2 mm 3/32" dia.	0,28 kN	3,78 kN	Ø 6 mm 15/64" dia.	Ø 7,8 mm 5/16" dia.
IN-115-0300	Ø 3 mm 1/8" dia.	0,45 kN	7,9 kN	Ø 8 mm 5/16" dia.	Ø 11 mm 7/16" dia.

F1: Node Strength
F2: Node Strength

EYELET - OCCHIELLO

AISI316L	Rope Fune	A	B	C	D
*IN-116-0150	Ø 1,5 mm 1/16" dia.	3,1 mm 1/8"	7,8 mm 5/16"	15,85 mm 5/8"	3 mm 1/8"
*IN-116-0200	Ø 2 mm 3/32" dia.	4,55 mm 3/16"	10,62 mm 13/32"	21 mm 13/16"	3 mm 1/8"
*IN-116-0300	Ø 3 mm 1/8" dia.	6 mm 1/4"	14,4 mm 9/16"	31 mm 1 7/32"	4,95 mm 3/16"
**IN-117-0150	Ø 1,5 mm 1/16" dia.	3,1 mm 1/8"	7,8 mm 5/16"	15,85 mm 5/8"	3 mm 1/8"
**IN-117-0200	Ø 2 mm 3/32" dia.	4,55 mm 3/16"	10,62 mm 13/32"	21 mm 13/16"	3 mm 1/8"
***IN-117-0300	Ø 3 mm 1/8" dia.	6 mm 1/4"	14,4 mm 9/16"	31 mm 1 7/32"	4,95 mm 3/16"

Single-Singolo
1,5-2-3 mm
1/16"-3/32"-1/8"Double-Doppio
1,5-2 mm
1/16"-3/32"Double-Doppio
3 mm
1/8"

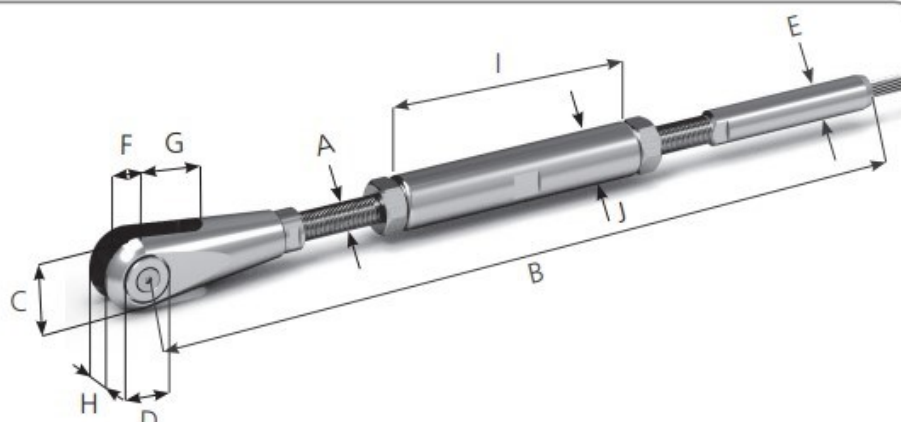
INOX VRV 7 X 19



Tehnični podatki - Technical data

Debelina v mm	Pretržna sila v KG	Max. obremenitev v KG	na kolutu	Teža kg/m
thickness in mm	breaking force in KG	max. load in KG	reel	weight kg / m
2	270	240	250m	0,015
3	600	480	250m	0,035
4	1000	850	250m	0,061
5	1600	1300	250m	0,096

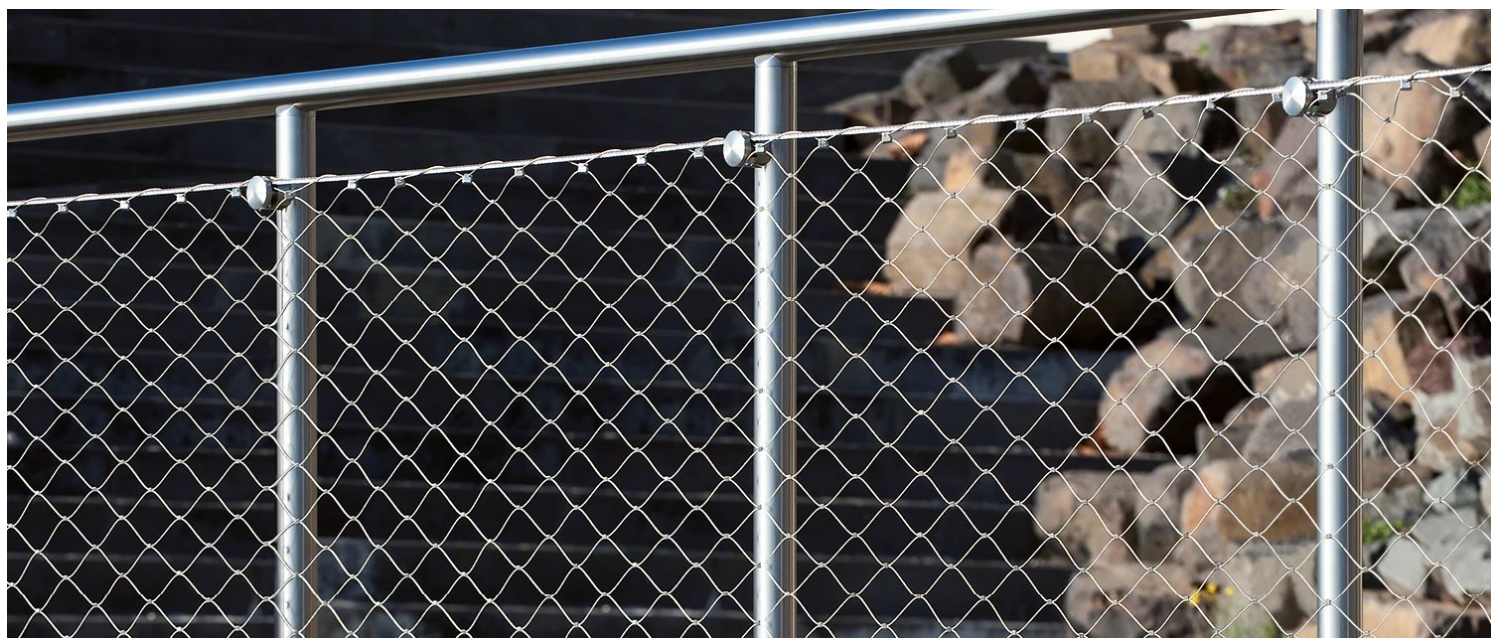
Dodatki za žično mrežo — Accesories for wire mesh



Napenjalci za vrv

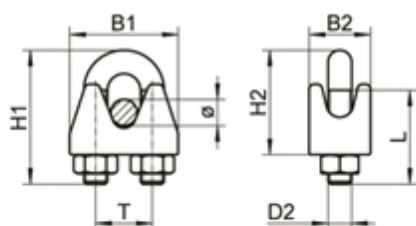
Fork with turnbuckle and swaged fitting

AISI316L RIGHT THREAD.	Rope Fune	A	B	B max	B min	C	D	E	F	G	H
IR-325-004-00	Ø 4 mm 5/32" dia.	M6	184,7 mm 7 17/64"	194,4 mm 7 21/32"	152,6 mm 6"	15,5 mm 5/8"	Ø 6 mm 15/64"	7,5 mm 9/32"	Ø 8 mm 5/16"	11,5 mm 7/16"	6,6 mm 1/4"
IR-325-006-00	Ø 6 mm 15/64" dia.	M10	274 mm 10 25/32"	287 mm 11 5/16"	223 mm 8 25/32"	25,7 mm 1"	Ø 10 mm 13/32"	12,5 mm 1/2"	12,9 mm 1/2"	19,7 mm 25/32"	11 mm 7/16"
IR-325-008-00	Ø 8 mm 5/16" dia.	M12	342 mm 13 15/32"	358 mm 14 3/32"	281 mm 11 1/16"	29,7 mm 1 5/32"	Ø 12 mm 1/2"	16 mm 5/8"	14,8 mm 19/32"	22 mm 7/8"	12 mm 1/2"
IR-325-010-00	Ø 10 mm 13/32" dia.	M14	417 mm 16 13/32"	437 mm 17 7/32"	347 mm 13 21/32"	34,6 mm 1 5/32"	15 mm 37/64"	17,8 mm 11/16"	17,3 mm 11/16"	25,7 mm 1"	14 mm 9/16"
IR-325-012-00	Ø 12 mm 1/2" dia.	M16	488 mm 19 7/32"	518 mm 20 13/32"	409 mm 16 3/32"	39,6 mm 1 9/16"	18 mm 23/32"	21,4 mm 5/8"	19,8 mm 25/32"	29,3 mm 1 5/32"	16 mm 5/8"
IR-325-014-00	Ø 14 mm 9/16" dia.	M20	608 mm 23 15/16"	638 mm 25 1/8"	517 mm 20 11/32"	52,6 mm 2 1/16"	20 mm 25/32"	25 mm 1"	26,3 mm 1 1/32"	38,7 mm 1 17/32"	16 mm 5/8"
IR-325-016-00	Ø 16 mm 5/8" dia.	M24	730 mm 28 3/4"	761 mm 29 31/32"	599 mm 23 19/32"	60,1 mm 2 3/8"	26 mm 1 1/32"	28 mm 1 1/9"	30 mm 1 3/16"	45 mm 1 25/32"	22 mm 55/64"
IR-325-018-00	Ø 18 mm 11/16" dia.	M27	768 mm 30 1/4"	799 mm 31 15/32"	642 mm 25 9/32"	66,5 mm 2 5/8"	28 mm 1 3/32"	34,5 mm 1 1/3"	34,1 mm 1 11/32"	48,2 mm 1 29/32"	22 mm 55/64"
IR-325-020-00	Ø 20 mm 3/4" dia.	M30	870 mm 34 1/4"	910 mm 35 13/16"	733 mm 28 27/32"	75,9 mm 3"	30 mm 1 3/16"	40 mm 1 9/16"	37,9 mm 1 1/2"	55 mm 2 5/32"	22 mm 55/64"
IR-325-022-00	Ø 22 mm 55/64" dia.	M30	885 mm 34 27/32"	925 mm 36 13/32"	739 mm 29 3/32"	75,9 mm 3"	30 mm 1 3/16"	40 mm 1 9/16"	37,9 mm 1 1/2"	55 mm 2 5/32"	22 mm 55/64"
IR-325-024-00	Ø 24 mm 15/16" dia.	M36	965 mm 38"	1015 mm 39 31/32"	812 mm 31 31/32"	90,6 mm 3 9/16"	36 mm 1 13/32"	46 mm 1 13/16"	45,5 mm 1 25/32"	64,2 mm 2 17/32"	27 mm 1 1/16"
IR-325-026-00	Ø 26 mm 1 1/64"	M36	975 mm 38 3/8"	1025 mm 40 11/32"	822 mm 32 3/8"	90,6 mm 3 9/16"	36 mm 1 13/32"	46 mm 1 13/16"	45,5 mm 1 25/32"	64,2 mm 2 17/32"	27 mm 1 1/16"



Dodatki za žično mrežo — Accesories for wire mesh

Objemka za vrh



VRV	H1	T	B1	B2	D2
(mm)	(mm)	(mm)	(mm)	(mm)	(mm)
2	17	7	16	10	M3
3	21	8	21	12	M3
4	23	10	22	12	M4
5	26	12	23	13	M5
6	32	14	26	13	M6
8	35	16	30	13	M6
10	44	19	34	22	M8

Napenjalec tip A



D1	L	L1	D	DELOVNA OBREMENITEV	TOČKA PRELOMA
(mm)	(mm)	(mm)	(mm)	(kg)	(kg)
5	70	113	8	40	560
6	90	145	10	80	1100
8	120	187	14	140	2000
10	150	233	16	220	3000
12	200	299	18	300	4200

Napenjalec tip B



D1	L	L1	S	DELOVNA OBREMENITEV	TOČKA PRELOMA
(mm)	(mm)	(mm)	(mm)	(kg)	(kg)
5	70	113	8	40	560
6	90	145	9	80	1100
8	120	187	11	140	2000
10	150	233	12	220	3000
12	200	299	14	300	4200

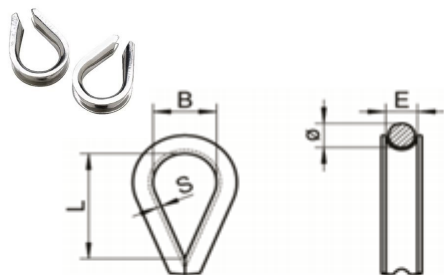
Napenjalec tip C



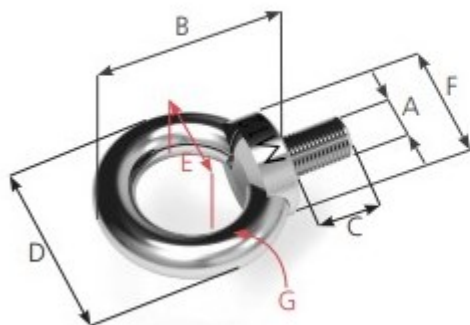
D1	L	L1	D	S	DELOVNA OBREMENITEV	TOČKA PRELOMA
(mm)	(mm)	(mm)	(mm)	(mm)	(kg)	(kg)
5	70	113	8	8	40	560
6	90	145	10	9	80	1100
8	120	187	14	11	140	2000
10	150	233	16	12	220	3000
12	200	299	18	14	300	4200

Dodatki za žično mrežo — Accesories for wire mesh

Vodilo za vrv



VRV (mm)	B (mm)	L (mm)	E (mm)
2	7	10	2
3	10	17	3
4	11	18	4
5	13	20	5
6	15	25	6
8	18	33	8
10	23	41	10
12	27	48	12



Eye bolt OČESNI VIJAK

AISI316 PART NUMBER	A	B	C	D	E	F	G
IR-551-008-00	M8	36 mm 1 13/32"	13 mm 1/2"	36 mm 1 13/32"	20 mm 25/32"	20 mm 25/32"	8 mm 5/16"
IR-551-010-00	M10	45 mm 1 25/32"	17 mm 21/32"	45 mm 1 25/32"	25 mm 31/32"	25 mm 31/32"	10 mm 25/64"
IR-551-012-00	M12	53 mm 2 5/64"	21 mm 13/16"	54 mm 2 1/8"	30 mm 1 3/16"	30 mm 1 3/16"	12 mm 15/32"
IR-551-016-00	M16	62 mm 2 7/16"	27 mm 1 1/16"	63 mm 2 15/32"	35 mm 1 3/8"	35 mm 1 3/8"	14 mm 9/16"
IR-551-020-00	M20	71 mm 2 25/32"	30 mm 1 3/16"	72 mm 2 27/32"	40 mm 1 9/16"	40 mm 1 9/16"	16 mm 5/8"



Eye bolt OČESNI VIJAK ZUNANJI NAVOJ

AISI316 PART NUMBER	A	B	C	D	E	F	G
P0501 B058006					A4	DIN580	M6
P0501 B058008					A4	DIN580	M8
P0501 B058010					A4	DIN580	M10
P0501 B058012					A4	DIN580	M12