

Material: AISI 304, AISI 316L

Pritisk: 6-8 bar

Certifikat: 3.1

Material: AISI 304, AISI 316L

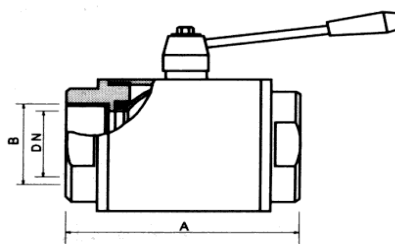
Pressure: 6-8 bar

Certificate: 3.1

### ŠIFRA: 1

DN	A	B
25	75	1"
32	94	1"1/4
40	104	1"1/2
50	115	2"
65	147	2"1/2
80	173	3"
90	182	3"1/2
100	192	4"
120	224	5"

Priključek: notranji navoj colski / notranji navoj colski

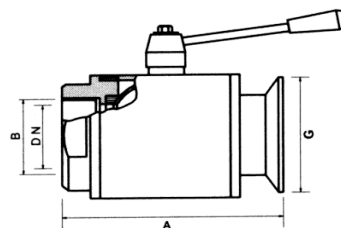


Connection: inch female thread / inch female thread

### ŠIFRA: 7

DN	A	B	G
32	99	1"1/4	40
40	108	1"1/2	50
50	119	2"	60
65	152	2"1/2	70
80	173	3"	80
90	183	3"1/2	100
100	192	4"	100
120	224	5"	120

Priključek: notranji navoj colski/ GAROLA

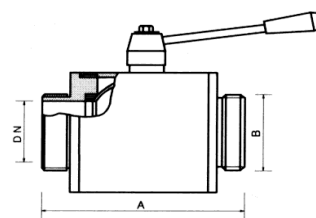


Connection: inch female thread / GAROLA

### ŠIFRA: 19

DN	A	B
25	101	25
32	114	32
40	128	40
50	135	50
65	163	65
80	173	80
100	192	100
125	224	125

Priključek: zunanji navoj DIN/zunanji navoj DIN



Connection: DIN external thread / DIN external thread

Material: AISI 316

Pritisk: 68 bar

Certifikat: 3.1

Material: AISI 316

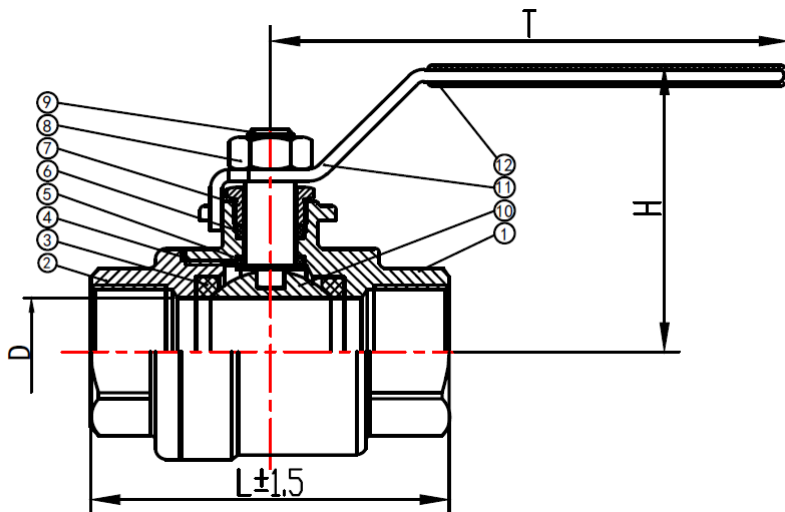
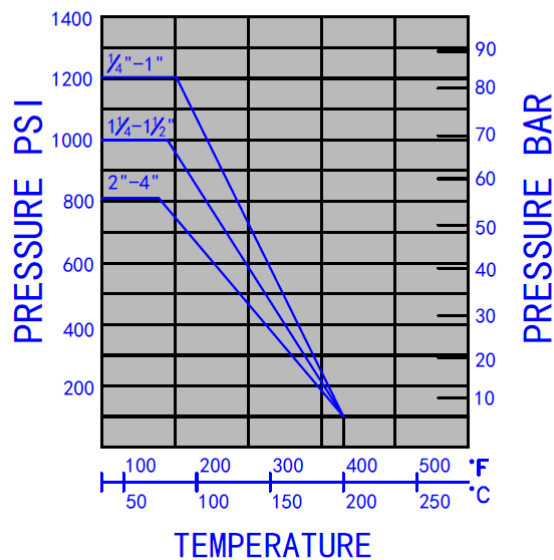
Pressure: 68 bar

Certificate: 3.1

	DN	L ± 1,5	D	H	T
1/4"	8	52	10,5	42	89
3/8"	10	52	10,5	42	89
1/2"	15	55	15	49	107
3/4"	20	64	20	58	120
1"	25	71	25	67	126
1"1/4	32	82	32	72	143
1"1/2	40	93	38	86	160
2"	50	109	50	92	171
2"1/2	65	144	65	127	205
3"	80	168	80	149	235
4"	100	205	100	162	296



### PRESSURE-TEMPERATURE RATING



Priključek: notranji navoj colski / notranji navoj colski

Connection: inch female thread / inch female thread